

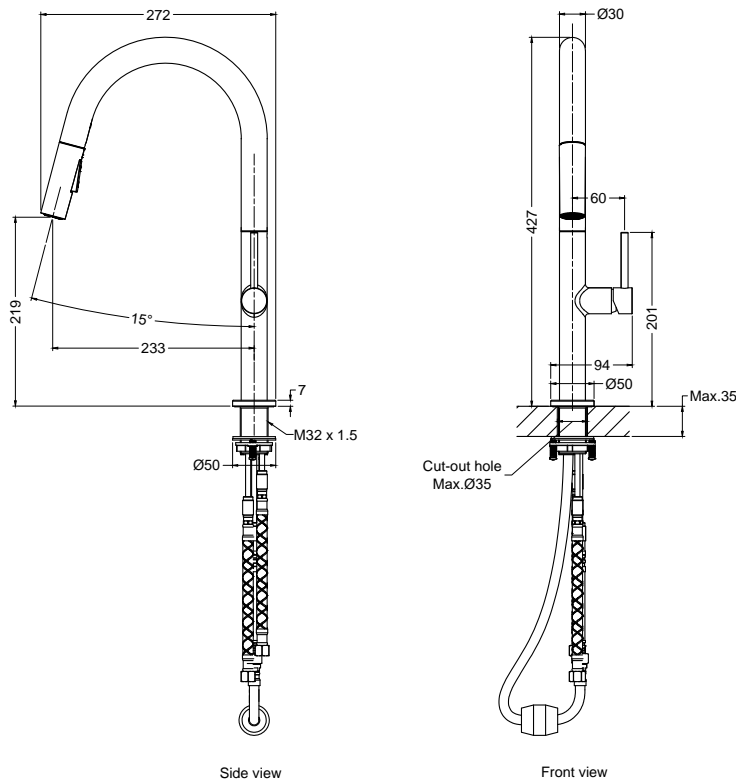
Sink Mixer With Pull Out Hose

PRODUCT SPECIFICATIONS

- Installation type : Deck mounted
- Dimension : 272(L) x 94(W) x 427(H)mm
- Material : Brass
- Finishing : Matte black
- Pull out hose : 1500(L)mm
- Inlet flexible hose : 2 x 600(L)mm
- Water flow rate : Nominal 4.0Litres/ min



TECHNICAL DRAWING



Copyright © Rigel Technology (S) Pte Ltd All rights reserved.

DISCLAIMER : While every effort has been made to ensure factual accuracy, the information presented is subject to changes due to requirements in different sites, markets and / or countries. Rigel reserves the right to make the necessary amendments at any time without prior notice.

Rev : 0.1
Date : 22.03.2021