

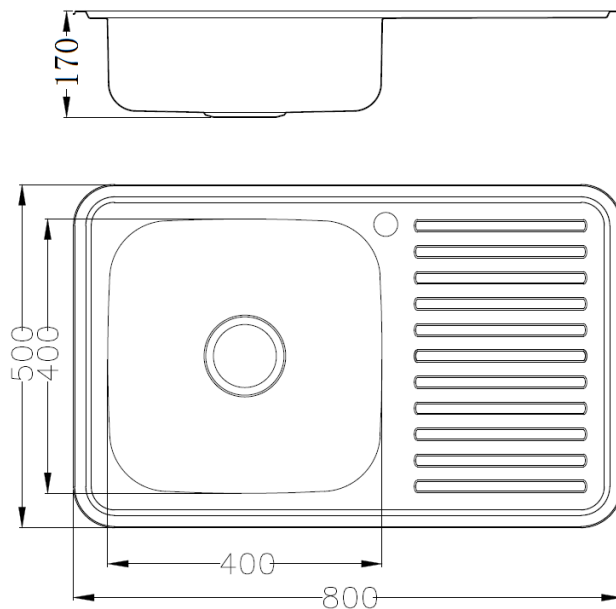
Insert Type Single Bowl, Single Drainer Sink

PRODUCT SPECIFICATIONS

- Dimensions Overall : 800(L) x 500(W) x 170(H)mm
- Dimensions Bowl : 400(L) x 400(W) x 160(H)mm
- Material : Stainless steel 304, Thk.0.8mm



TECHNICAL DRAWING



Copyright © Rigel Technology. (S) Pte Ltd All rights reserved.

DISCLAIMER : While every effort has been made to ensure factual accuracy, the information presented is subject to changes due to requirements in different sites, markets and / or countries. Rigel reserves the right to make the necessary amendments at any time without prior notice.

Rev : 0.1
Date : 10.05.2021